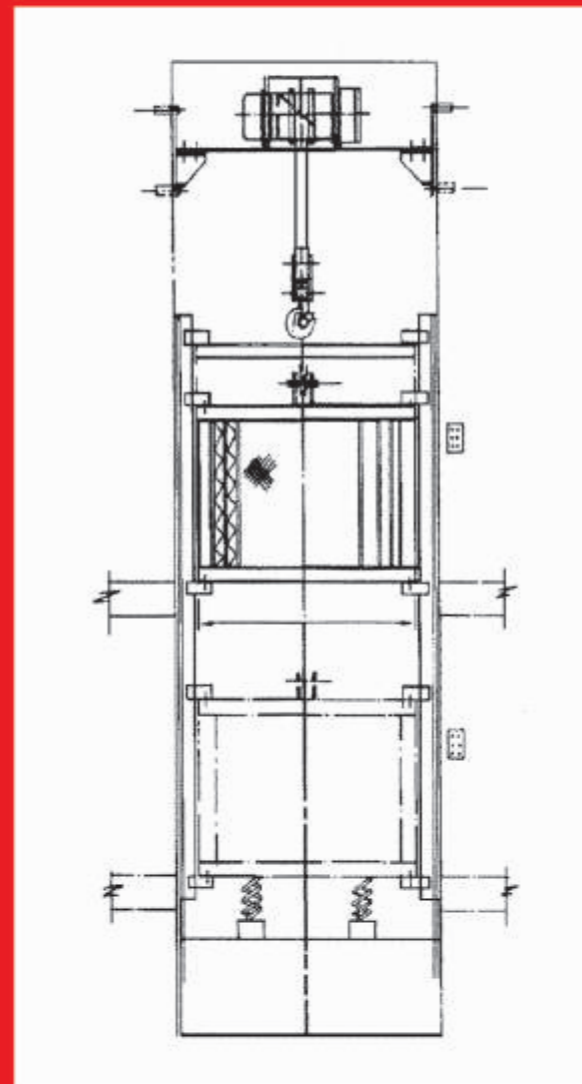


## CAGE / GOODS LIFTS

"LIFT UP" Cage/Goods Lift is a product backed by 38 years of manufacturing experience. It is manufactured under stringent inspections & quality controls, using the best quality raw material & bought outs. It is perfectly engineered to meet the clients requirements keeping in mind that it is used by such labour with little knowledge of the lift. The operation is kept very simple & markings are elaborately highlighted on the switches for the ease of the operator. The lift machine is also made keeping factor of safety in mind. "LIFT UP" Cage/Goods Lift are incorporated with all safety features.

- **CAGE** : Cage is fabricated from rolled steel section and M. S. plates which are strong enough & robust in construction. These cagelifts are provided with collapsible doors & landing platforms.
- **HOISTING ARRANGEMENT** : In hoisting mechanism we are providing 2/4 fall wire Rope reeving system which give absolute vertical movement to cage & to arrest misalignment.
- **CAGE GUIDE TRACKS** : Special machined "T" sections are used as cage guide tracks. Guides are provided on cage. Lubrication is used to reduce the friction, wear & tear between "T" track & guide.
- **CONTROL** : Controls are provided on every floor for operation of the cage.
- **SAFETY FEATURES** : Electro mechanical door interlocks with limit switches are provided on collapsible gates. Lever type limit switches are provided on each floor. In addition to above limit switches a very sensitive counter limit switch is provided (in power circuit) for over hoisting & over lowering. Spring buffers are provided on the ground floor as a safety feature.

It is backed by team of skilled professionals with excellent after sales service. Our R & D personnel are continuously at improving the products, hence we reserve the right to make changes in our specifications.



All ISHAR Products are Warranted For 12 Months

ELECTRIC HOISTS

FLAME-PROOF HOISTS

E.O.T. / GOLIATH CRANES

JIB CRANES

CAGE / GOODS-LIFTS

ELECTRIC WINCHES

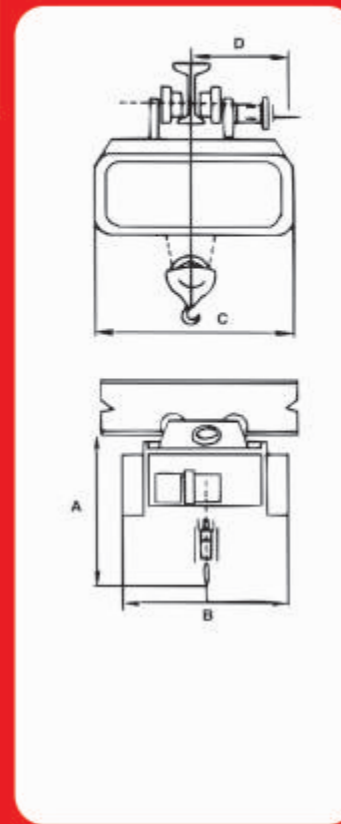
★ Prices for all above items on requests.

★ We specialize in customised material handling solutions.

# LIFT UP

## Design & Constructional Features of "LIFT UP" Electric Wire Rope Hoists.

- HEAVY DUTY ROBUST DESIGNS ENSURES SMOOTH & SAFE OPERATIONS EVEN IN THE MOST CRITICAL APPLICATIONS.
- MODULAR CONSTRUCTION EASE OF MAINTENANCE AS EACH COMPONENT i.e MOTORS, BRAKES, GEAR BOX & CONTROL PANEL ARE EASILY ACCESSIBLE AND MAINTAINABLE IN ITS INSTALLED POSITION, RESULTING IN HUGE SAVING OF TIME AND LABOUR.
- MANUFACTURED IN AN ISO 9001 :2008 CERTIFIED CO. AN ASSURANCE OF SEAMLESS QUALITY & INTERCHANGABILITY OF PARTS.
- ROPE DRUM ACCURATELY MACHINED ROPE DRUM OF SEAMLESS PIPE MOUNTED ON HEAVY DUTY BEARINGS FOR LONGER LIFE.
- ROPE GUIDE ITS UNIQUE & STURDY DESIGN ENSURES EASY CHANGE OF WIRE ROPE AND PREVENTS ROPE SLACKENING.
- SPECIALLY DESIGNED S4 CRANE DUTY MOTORS.
- ALLOY STEEL PRECISION CUT CASE HARDENED GEARS. ENSURING SMOOTH WORKING & LONGER LIFE.
- BRAKES HEAVY DUTY FAIL SAFE DISC BRAKE. COMPLETE SAFETY AND EASE OF ADJUSTMENT.
- CONTROL PANEL COMPONENTS OF REPUTED MAKE. WE SPECIFICALLY GIVE 24V CONTROL VOLTAGE FOR COMPLETE OPERATOR SAFETY.
- ALSO AVAILABLE HOISTS WITH CREEP SPEEDS, HIGHER LIFTS, SPECIAL APPLICATION HOISTS & IN FLP CONSTRUCTION ALSO. PRICES ON REQUEST.



CAPACITY IN TONNES	LIFT IN METERS	HOIST MODEL	NO OF FALLS	WIRE ROPE DIA	HOISTING MOTOR HP	HOISTING SPEED	CROSS TRAVEL MOTOR HP	CROSS TRAVEL SPEED	APPROX DIMENSIONS IN MM ( 100mm)				APPROX WEIGHT IN KGS.
									A	B	C	D	
0.25	6	LU-0.25C-6	2	6	0.33	5.5	0.25	15	580	850	400	300	95
	9	LU-0.25C-9	4	6	0.33	5.5	0.25	15	600	1500	400	300	110
	12	LU-0.25C-12	4	6	0.33	5.5	0.25	15	650	1730	400	300	120
	15	LU-0.25C-15	4	6	0.33	5.5	0.25	15	700	1965	400	300	135
0.5	6	LU-0.5C-6	2	6	0.75	5.5	0.25	15	580	850	400	300	115
	9	LU-0.5C-9	4	6	0.75	5.5	0.25	15	600	1500	400	300	125
	12	LU-0.5C-12	4	6	0.75	5.5	0.25	15	650	1730	400	300	135
	15	LU-0.5C-15	4	6	0.75	5.5	0.25	15	700	1965	400	300	150
1	6	LU-1C-6	2	8	1.5	5.5	0.33	15	850	860	560	330	180
	9	LU-1C-9	4	6	1.5	5.5	0.33	15	850	1265	560	330	205
	12	LU-1C-12	4	6	1.5	5.5	0.33	15	850	1425	620	330	225
	15	LU-1C-15	4	6	1.5	5.5	0.33	15	850	1585	620	330	245
2	6	LU-2C-6	2	10	2	5.5	0.5	15	900	950	730	470	270
	9	LU-2C-9	4	8	2	5.5	0.5	15	900	1385	730	470	300
	12	LU-2C-12	4	8	2	5.5	0.5	15	900	1635	730	470	320
	15	LU-2C-15	4	8	2	5.5	0.5	15	900	1840	730	470	345
3	6	LU-3C-6	2	12	3	5.5	0.75	15	900	1040	730	520	320
	9	LU-3C-9	4	10	3	5.5	0.75	15	900	1666	730	520	360
	12	LU-3C-12	4	10	3	5.5	0.75	15	900	1945	730	520	385
	15	LU-3C-15	4	10	3	5.5	0.75	15	900	2220	730	520	410
5	6	LU-5C-6	2	16	5	4	1	12	1100	995	900	550	660
	9	LU-5C-9	4	12	5	4	1	12	1100	1550	900	550	685
	12	LU-5C-12	4	12	5	4	1	12	1100	1795	900	550	710
	15	LU-5C-15	4	12	5	4	1	12	1100	2030	900	550	740
7.5	6	LU-7.5C-6	4	14	7.5	4	1.5	12	1200	1395	865	615	780
	9	LU-7.5C-9	4	14	7.5	4	1.5	12	1200	1675	865	615	835
	12	LU-7.5C-12	4	14	7.5	4	1.5	12	1200	1950	865	615	870
	15	LU-7.5C-15	4	14	7.5	4	1.5	12	1200	2230	865	615	910
10	6	LU-10C-6	4	16	10	4	2	12	1250	1485	865	615	950
	9	LU-10C-9	4	16	10	4	2	12	1250	1795	865	615	1010
	12	LU-10C-12	4	16	10	4	2	12	1250	2100	865	615	1070
	15	LU-10C-15	4	16	10	4	2	12	1250	2420	865	615	1130
12.5	6	LU-12.5C-6	4	18	12.5	4	3	10	1250	1570	865	615	1080
	9	LU-12.5C-9	4	18	12.5	4	3	10	1250	1915	865	615	1170
	12	LU-12.5C-12	4	18	12.5	4	3	10	1250	2265	865	615	1265
	15	LU-12.5C-15	4	18	12.5	4	3	10	1250	2609	865	615	1320
15	6	LU-15C-6	4	20	15	4	3	10	1250	1485	865	615	1290
	9	LU-15C-9	4	20	15	4	3	10	1250	1795	865	615	1310
	12	LU-15C-12	4	20	15	4	3	10	1250	2100	865	615	1405
	15	LU-15C-15	4	20	15	4	3	10	1250	2420	865	615	1520

## 'LIFT UP' EOT / GOLIATH CRANES

### Salient Features of LIFT UP EOT Cranes

- I-Beam / Box type construction for Bridge Girders.
- A tapered plate design is incorporated for joining the end carriages to the girders thereby ensuring smooth flow of stresses.
- The end carriages are incorporated with L.T. wheels machined out of En-8 forged blanks and mounted on 'L' type bearing housings with anti-friction bearings.

### Specifications

- The LIFT UP Overhead Cranes are built to consistently high specifications conforming to IS 807, IS 3177 and IS 4137 having possibly the best On Time Delivery record in the field.

### High Efficiency

- LIFT UP Equipments are designed for high speed operation to give increased productivity.
- Precision workmanship of all components minimises losses and increases efficiency.

### Smooth Operation Ensured by

- Gears having precision hobbled teeth subject to heat treatment.
- Antifriction bearings on all high speed rotating parts.
- Machined components checked by limit gauges.

### Ease of Maintenance

- All parts requiring maintenance are made easily accessible
- Number of parts requiring frequent maintenance is kept to minimum.
- Wearing parts can be easily removed and replaced thus reducing down time.

### Rigid Inspection and Testing

- Raw materials are subjected to ultrasonic testing while important weldments are radiographed.
- Rigid inspection procedures at all stages of manufacture to ensure unfailing dependability.

### Remote Control EOT Cranes

- Remote Control Operation is offered with Infra-red Remote Controls/Radio frequency remote controls.
- Infrared remote range - upto 50 mtrs. Radion frequency Remote Range - upto 500 mtrs.

### Specifications

- The LIFT UP Jib Cranes are built to consistently high specifications conforming to IS 807 and 3177.

### Salient Features of LIFT UP Jib Cranes :

- Mast Fabricated from Pipe / Rolled Steel Sections.
- M. S. Gusset plates / thick base plate giving added rigidity to column.
- Base plate readily drilled to take six/eight holding down bolts.
- Jib arm fabricated from heavy section I beam for LUJC-1 and triangular truss constructions for LUJC-2 & LUJC-3 type of jib cranes reduces deflection to acceptable limits.
- Bearings - Double roller self aligned type bearings with thrust & roller bearings to take care of horizontal & vertical loadings as well as radial thrust.
- Swivelling - Through chain at the end of the Jib arm and / or hand cranking for easy manual swivel, alternately electrically operated swivelling for SMJC-3 type jib crane, on request.
- For positive full 360 degree rotation duly insulated brass swing springs with pentograph current collectors provided.

Notes : Please furnish dimensions marked along with type & Capacity of Jib Cranes & Cage lifts to enables us to submit quotations.

